



Stop Logs

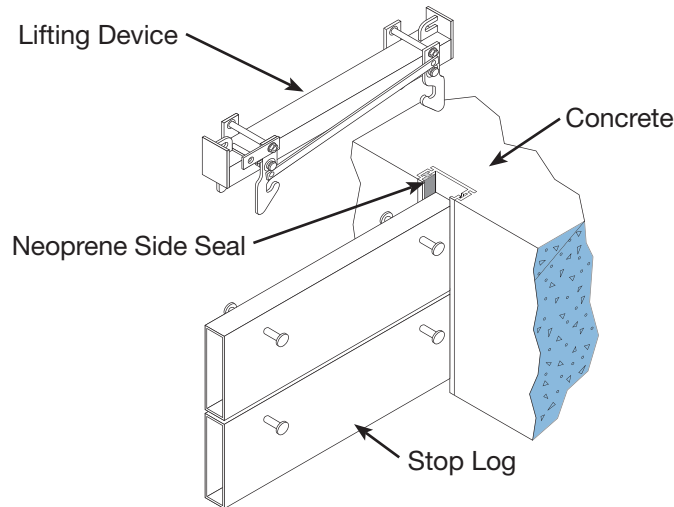
For Flow and Level Control in Open Channels



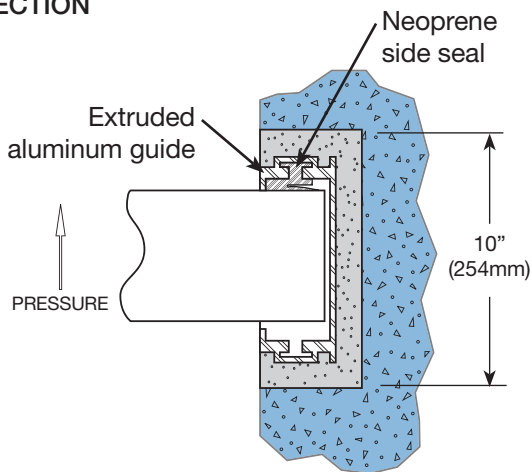
Aluminum Stop Logs

Aluminum, because of its low weight and ease of handling, is a popular choice for many stop log installations. A resilient seal is standard along the bottom of each stop log. Additional seals can be placed in the guides if low leakage is required. Guides are mounted on the face of the concrete or embedded. Stop logs are normally put in place using a lifting device and overhead crane. A latching lever on the lifting device is provided to engage or disengage the stop logs.

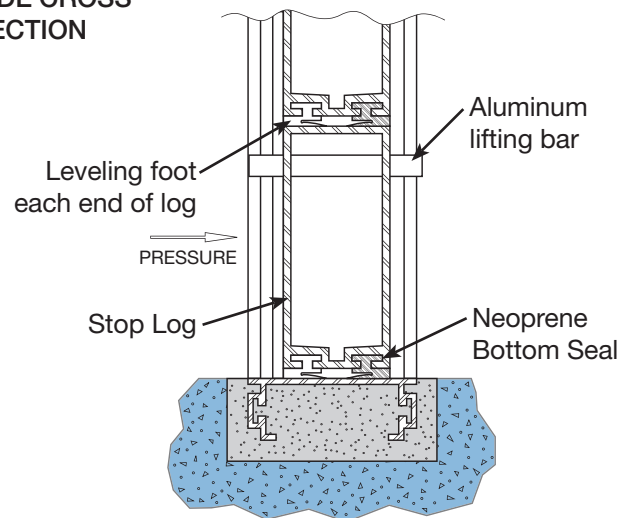
- Easy handling, long life
- Continuous Neoprene guide seals
- Neoprene bottom and side seal (each log)
- Standard log heights: 6" (150mm), 12" (300mm), 18" (450mm)



TOP CROSS SECTION



SIDE CROSS SECTION



Standard Materials

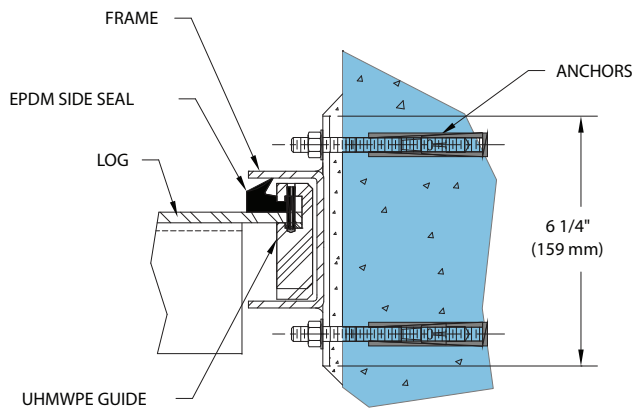
Part	Material
Frame, Log, Lifting Lugs	Aluminum, B306 6061-T6
Seals	
Bottom HY-Q	Neoprene D2000, Grade AA625
Sides J-Seal	Neoprene D2000, Grade 2BC515

Stainless Steel Stop Logs

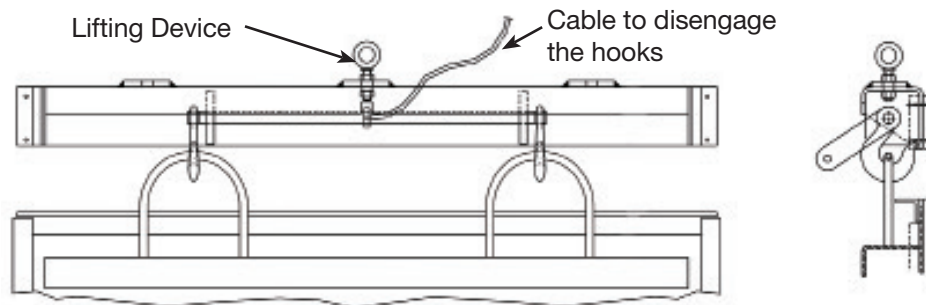
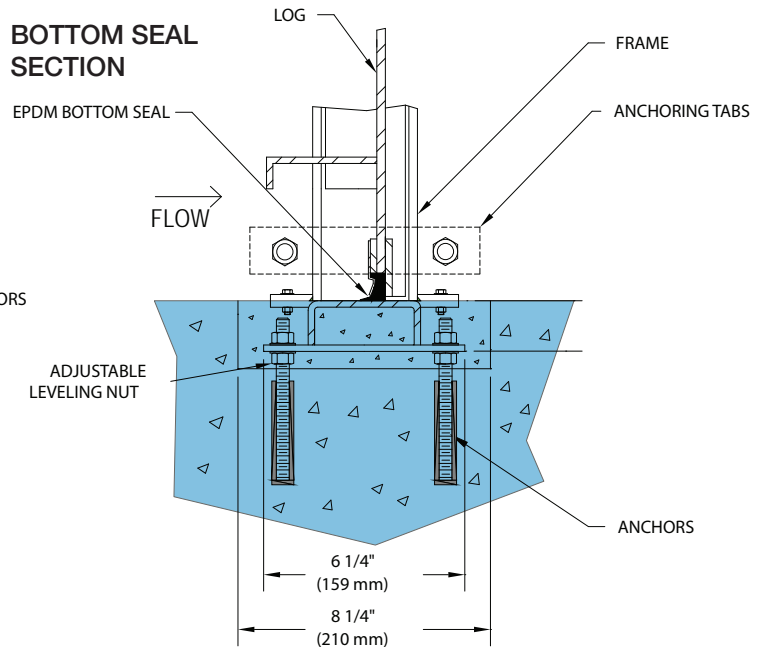
Stainless steel construction provides high corrosion resistance and many years of service with minimal maintenance. The stop log guide is made of UHMWPE, and contains the EPDM seal. The bottom seal on each log is also made of EPDM, and seals the sill or the log below. All logs are designed to be interchangeable. When required, a stainless steel lifting device is supplied for each log width.

- Lightweight construction
- UHMWPE guides — no metal-to-metal contact
- Long life, low maintenance
- EPDM seals guarantee low leakage
- Standard log heights: 6" (150mm), 12" (300mm), 18" (450mm)

SIDE SEAL SECTION



BOTTOM SEAL SECTION



Standard Materials

Part	Material
Frame, Log, Reinforcements, Bottom Seal Retainer	Stainless Steel ASTM A-240, Type 304L or 316L
Seal	EPDM, ASTM D-2000
Fasteners	ASTM F593 and F594, GR1 for Type 304 and GR2 for Type 316



**RODNEY
HUNT**



Engineered Flow Control Products

Gates

- Sluice Gates
- Bonneted Gates
- Channel Gates
- Weir Gates
- Crest Gates (including Bascule[®] and Pelican[®] designs)
- Tainter Gates
- Slide Gates
- Roller Gates
- Hinged Crest Gates
- Bulkhead Gates
- Velocity Control Gates
- Stop Logs
- Flap Gates

Actuation

Manual, electric, and hydraulic actuation systems are available.

For more information about Rodney Hunt products or to contact a sales representative, visit the Rodney Hunt website (www.rodneyhunt.com) or call 978-633-4362