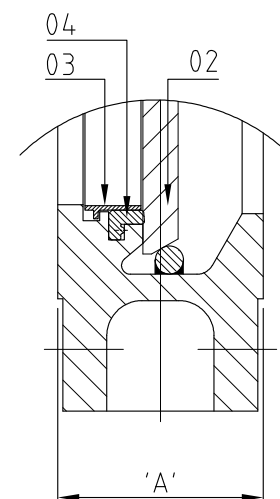
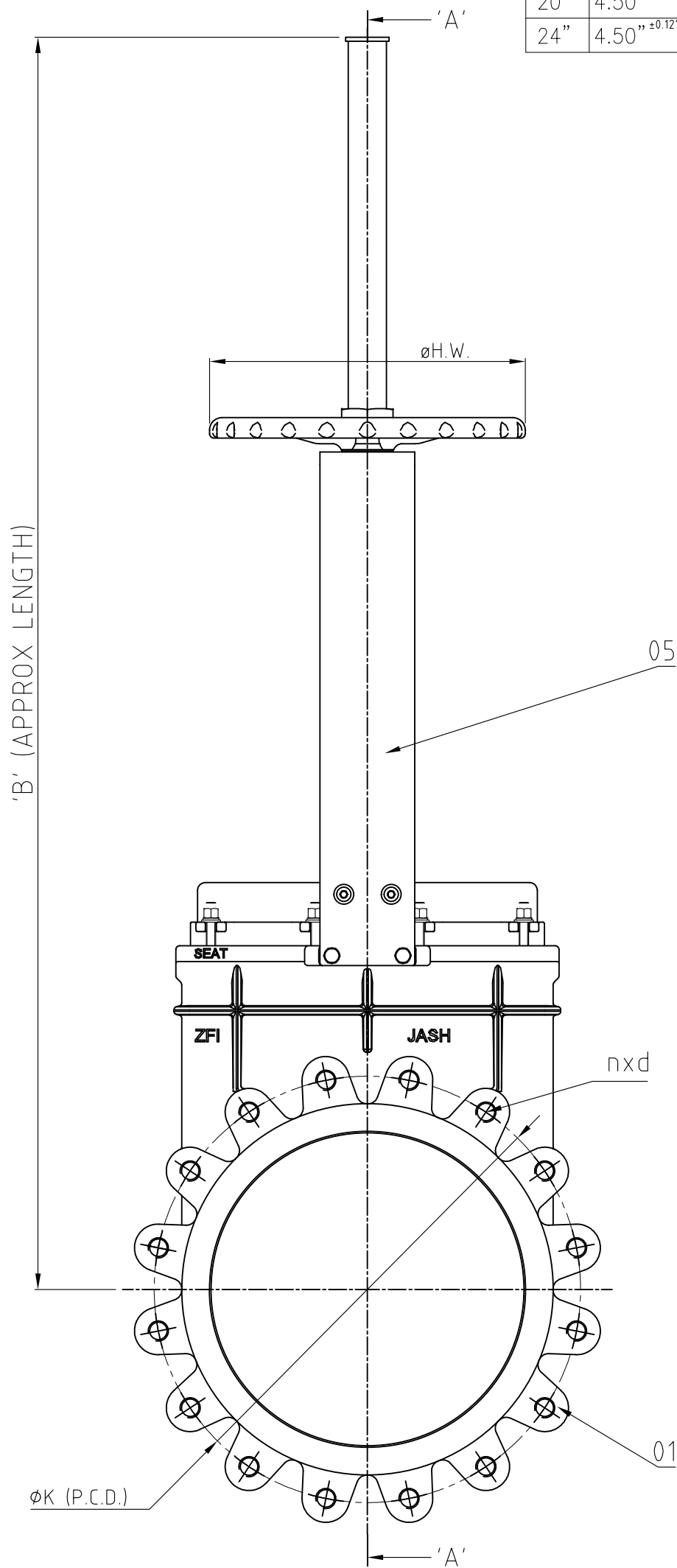


SIZE	A	nxd	øK	øH.W.	'B' ~
12"	2.99" ± 0.12 "	12Nos. x 7/8" (UNC)	17"	12.4"	46.33"
16"	3.50" ± 0.12 "	16Nos. x 1" (UNC)	21.25"	15.75"	62.80"
18"	3.50" ± 0.12 "	16Nos. x 1-1/8" (UNC)	22.75"	15.75"	66.25"
20"	4.50" ± 0.12 "	20Nos. x 1-1/8" (UNC)	25.00"	21.7"	77.00"
24"	4.50" ± 0.12 "	20Nos. x 1-1/4" (UNC)	29.50"	21.7"	87.80"



05	YOKE	CARBON STEEL
04	SEAT	NEOPRENE
03	SEAT RETAINER RING	SS 316
02	GATE	SS 316
01	BODY	SS Gr. CF:8M
SR.NO.	DESCRIPTION	MATERIAL

PART LIST

STAINLESS STEEL
KNIFE GATE VALVE
TYPE ZFI-S


Rodney Hunt
JE/SV/GAC/PROP/ZFI-S/COM/1255